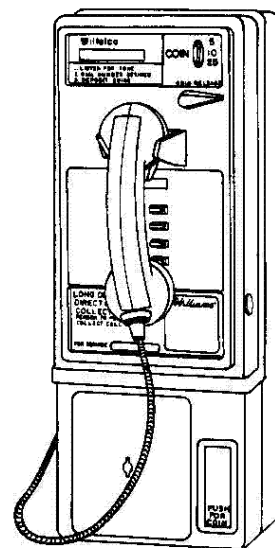


# A MILLION MISSED CALLS



Southwestern Bell

TELLUM II SERVICE MANUAL Rev. 1996.3-A

# Table of Contents

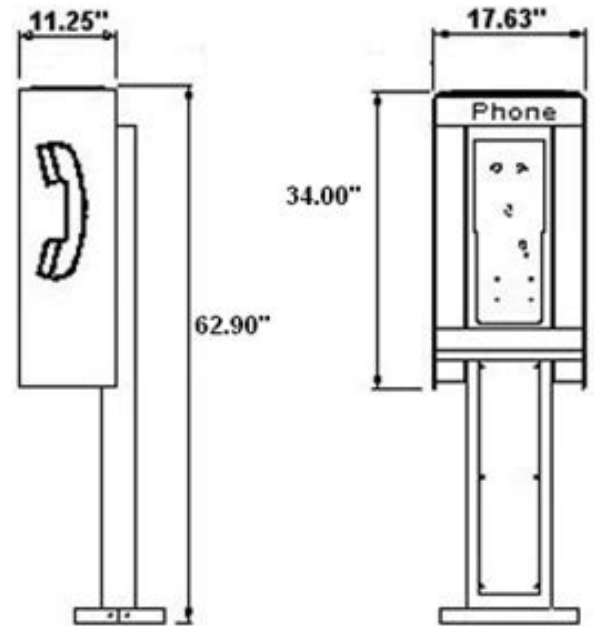
Quick Start .....	1
Operation - Keypad .....	2
Operation - Keypad Functions .....	4
Operation - Handset .....	6
Service Reference .....	7
Regulatory Info .....	9

# Quick Start

Installation of the 1996 Southwestern Bell Rev 3-A public payphone should be performed by a qualified Bell technician.

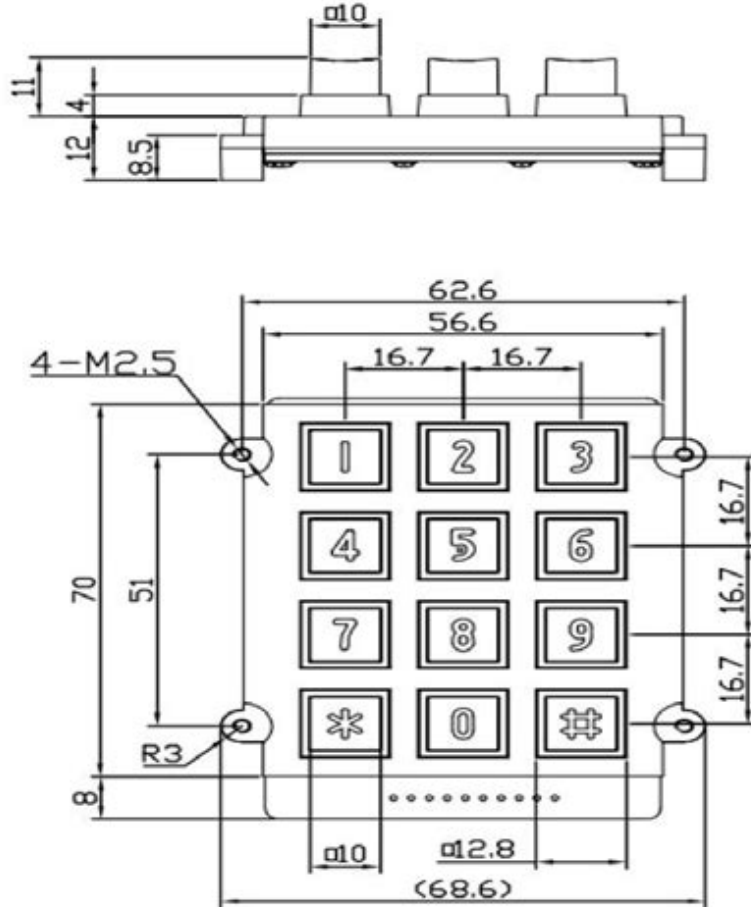
Note that SWBT offers specialized models suited for a variety of operational constraints, including emergency, education, correctional facility, transport and industrial.

For additional inquiries about installation or expanded service contracts, please navigate to 200,5.



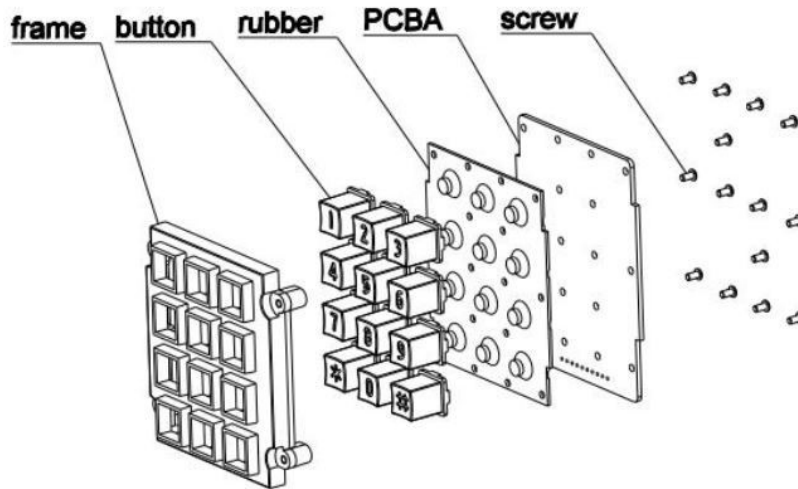
- 1) Ensure proper connection between the mainboard and I/O interface, I/O interface and keypad, status LEDs and hook sensor. Report damaged equipment at 50,5.
- 2) Connect the faceplate with the mounting hardware, aligning the hooked slots in their open position.
- 3) Lock the faceplate to the mounting hardware with the provided key.
- 4) *Optionally* connect CAT5e uplink to the mainboard on models with networked access. Rev 1 models ignore this option.
- 5) The mounting hardware included in your unit should contain a 5V 2A barrel connection. Insert the barrel connection into the mainboard described on page 7.
- 6) The machine will now boot. On some revisions or depending on vendor specification, an audible tone will be emitted from the handset after successful boot.

# Operation - Keypad



- 1) Use the keypad as a directional navigator.
- 2) Initial position is (0,0). Your present coordinate point in this manner would be “5,” where “2” moves *up* in coordinate space (**+Y AXIS**), “6” moves *right* in coordinate space (**+X AXIS**), “7” moves *downward and leftward* (**-BOTH AXES**) and so on.

# Operation - Keypad Functions



- 1) **HOLDING** a key that is not **5, 0, \*** or **#** will repeat input. You will hear the handset speak the coordinate currently visited.
- 2) **PRESSING FIVE** will announce the number of sounds at the current coordinate.
- 3) **HOLDING FIVE** will enter coordinate entry mode:
  - a) The user may enter any length of numbers. These will be the the first (X) coordinate.
  - b) Terminating the entry of the first coordinate is achieved by **PRESSING THE POUND (#) KEY**. The system will read back the coordinate and await a second.
  - c) The user may once again enter numbers freely in sequence. These will be the second coordinate (Y).
  - d) **PRESSING THE POUND (#) KEY** again concludes coordinate entry mode and navigates the user to the desired (X, Y) coordinate.
- 4) **HOLDING ZERO** will return the user to the origin (0,0).

## Operation - Keypad Functions

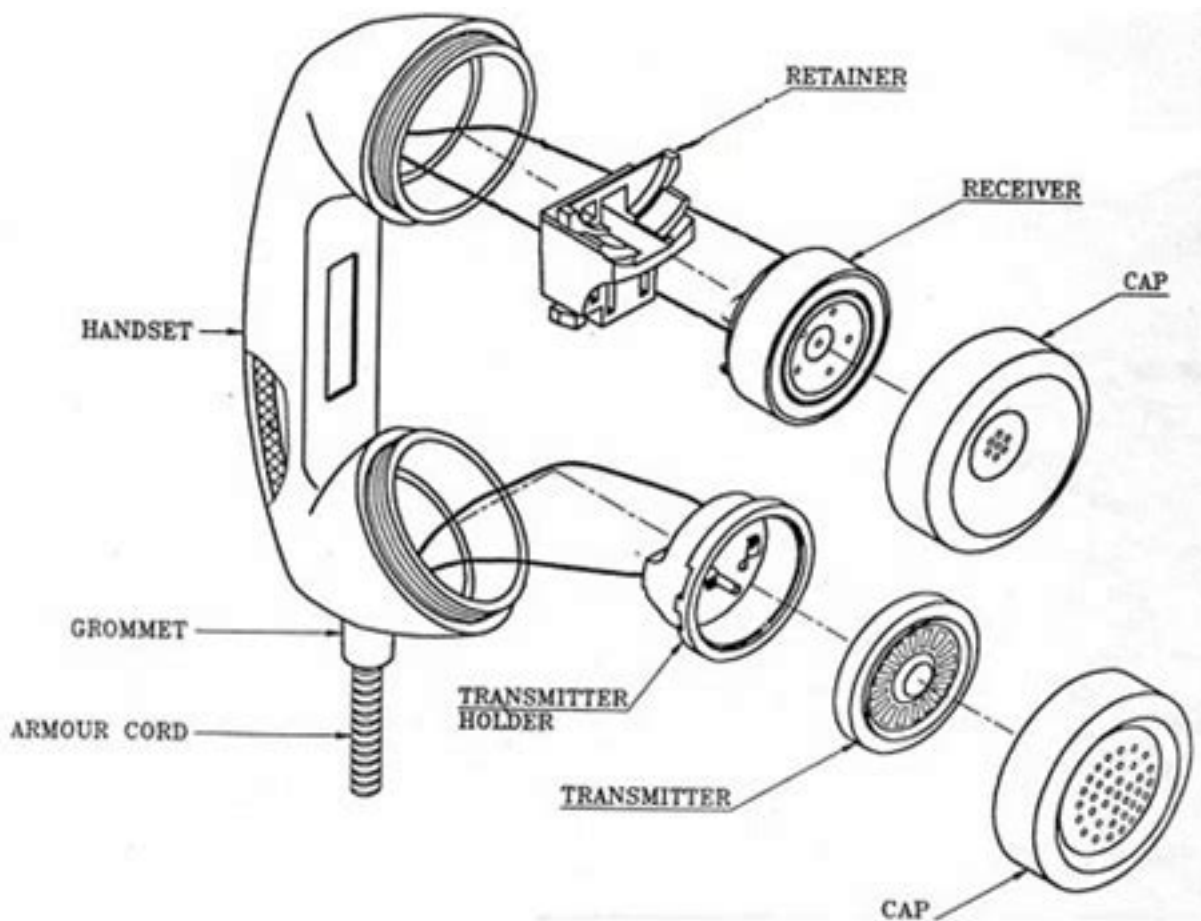
- 5) **PRESSING THE POUND (#) KEY** will cycle between sounds present at the current coordinate. The coin slot will illuminate *white* automatically when one or more sounds are present.
- 6) If more than one sound is present **PRESSING THE POUND (#) KEY** will skip to the next sound and begin playing it. Sounds are arranged in the order they were recorded.

*Note that sounds may contain silence. The presence of the sound indicator light does not guarantee a pleasant experience. SWBT ASSUMES NO RESPONSIBILITY FOR DISTRESS CAUSED BY USER-SUBMITTED MATERIAL.*

Your access to and use of the Services or any Content is at your own risk. YOU UNDERSTAND AND AGREE THAT THE SERVICES ARE PROVIDED TO YOU ON AN "AS IS" AND "AS AVAILABLE" BASIS. WITHOUT LIMITING THE FOREGOING, TO THE FULL EXTENT PERMITTED BY LAW, TELLUM DISCLAIMS ALL WARRANTIES, EXPRESS OR IMPLIED, OF MERCHANTABILITY, FITNESS FOR A PARTICULAR PURPOSE, OR NON- INFRINGEMENT. Tellum makes no representations or warranties of any kind with respect to the Services, including any representation or warranty that the use of the Services will (a) be timely, uninterrupted or error-free or operate in combination with any other hardware, software, system, or data, b) meet your requirements or expectations, (c) be free from errors or that defects will be corrected, (d) be free of viruses or other harmful components; or (e) be entirely secure or that the information you share with us will be secure. Tellum also makes no representations or warranties of any kind with respect to Content; User Content, in particular, is provided by and is solely the responsibility of, the Users providing that Content. No advice or information, whether oral or written, obtained from Tellum or through the Services, will create any warranty not expressly made herein.

- 7) **HOLDING THE ASTERISK (\*) KEY** will begin recording for the duration that the key is depressed. A ring will sound, prompting the user to record a sound. Please speak clearly into the microphone. Audio may be played into the handset to record non-diegetic sound.
  - a) Releasing the asterisk key will save the recording at the current coordinate.
  - b) No other keypress is possible when recording.
  - c) The *green* recording LED will illuminate when recording is in progress.
  - d) Aborting a recording is possible by returning the handset to the hook. These recordings will not be saved.
  - e) Recordings are available immediately after completion by pressing the pound key (#). Other recordings may play before the most recently recorded.

## Operation - Handset

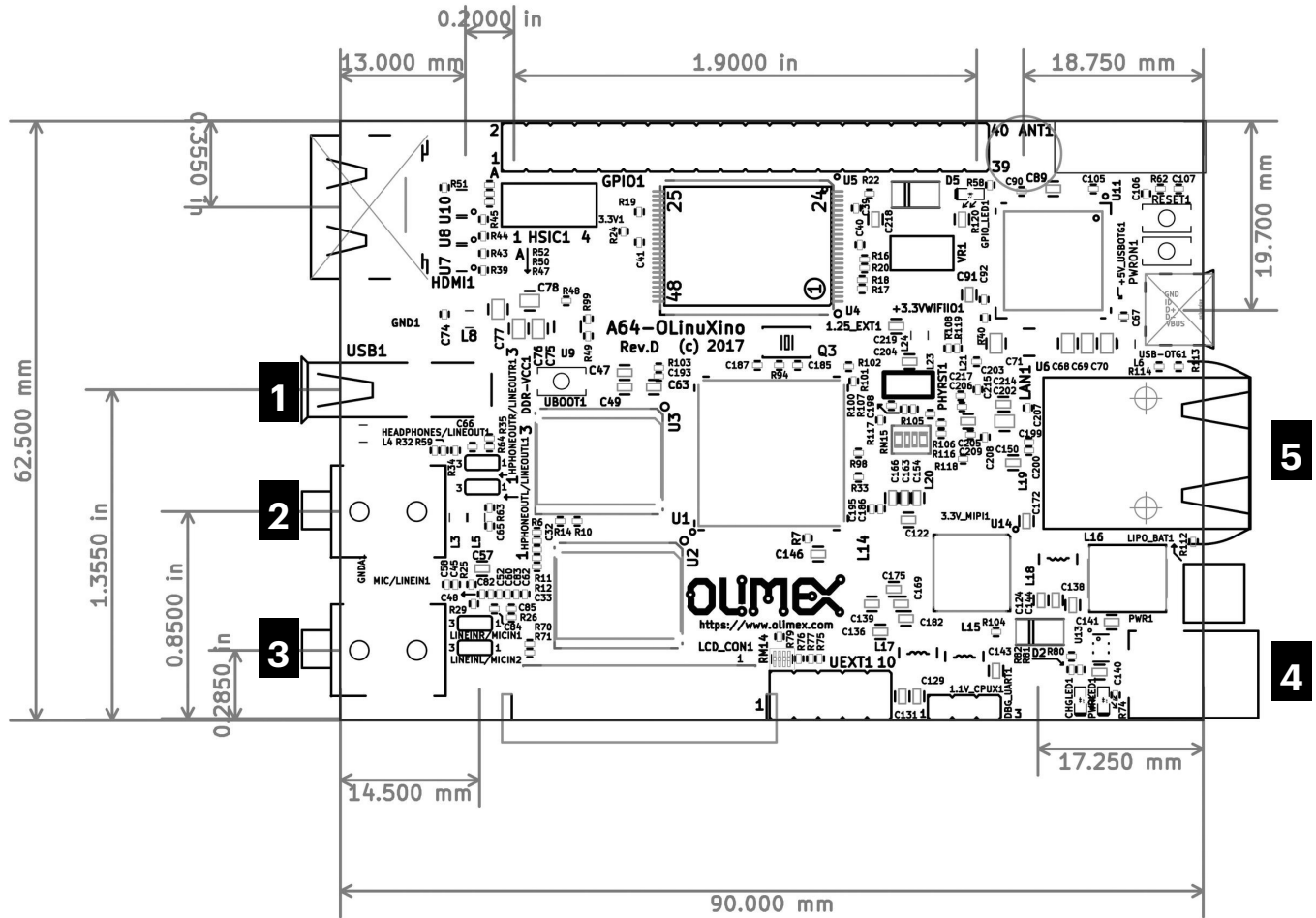


The 1996 Rev. 1-3 A, B, F & G Southwestern Bell Telephone handset by Tellum is a rugged device capable of withstanding the frustrations of sad breakups and angsty teens, as well as providing a formidable plaything for drunks and degenerates.

Audio is reproduced through a receiver (standard) and transmitted through a golden-coloured PLA receiver with upgraded electret microphone characteristics. This microphone design is unique to Tellum-made devices, offering superior audio fidelity at the cost of hardware endurance.

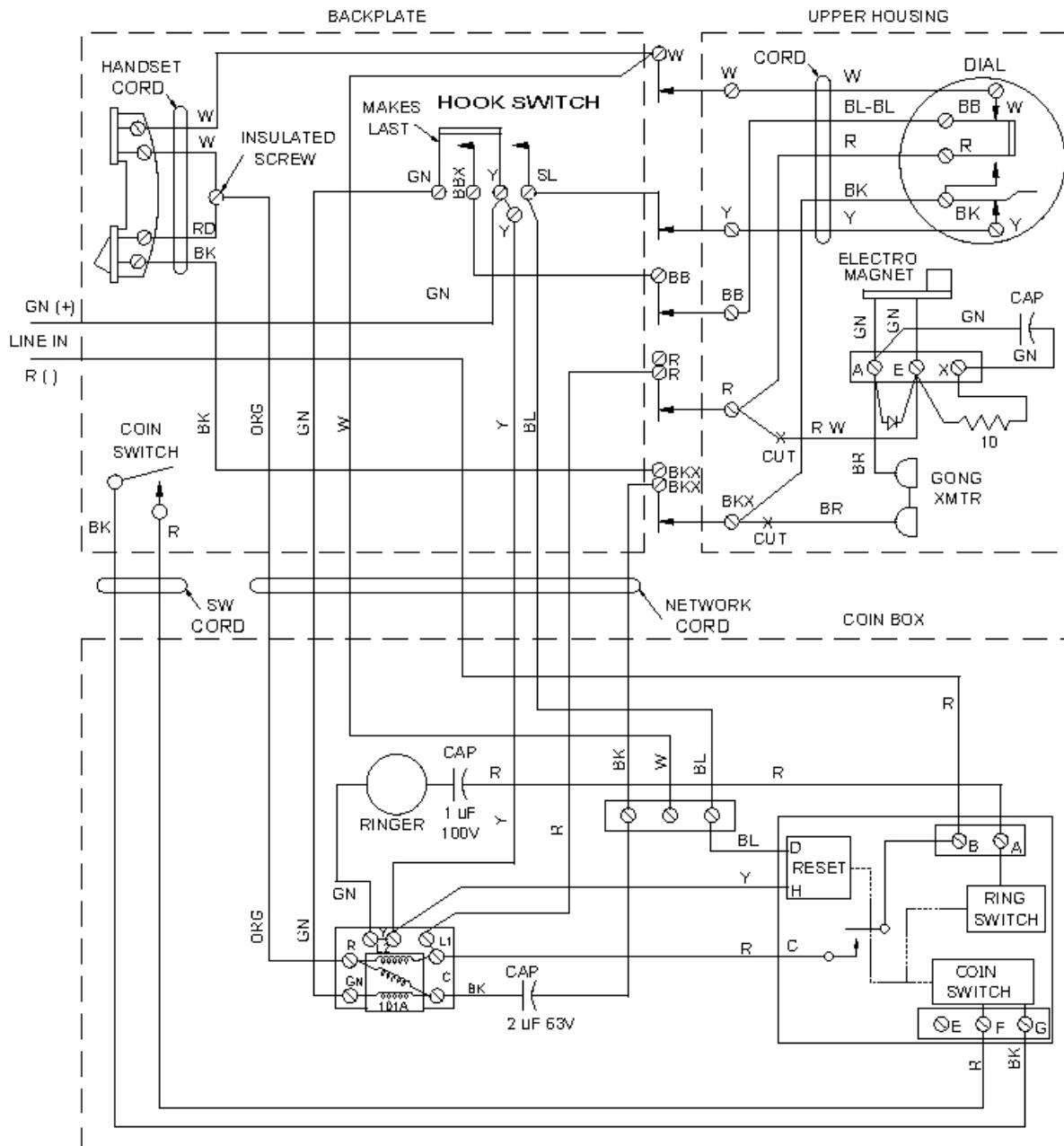
The handset does not require regular servicing, and is internally replaceable. Ensure cabling matches the input orientation marked on both cable and receptacle. Incorrect installation when replacing handset will damage the microphone. All components are weather sealed to IP53.

# Service Reference



1. Peripheral Interface
2. Receiver
3. Transmitter
4. Power IN
5. CAT5e





Dates 233 payphone with 101b inductor and mag coin first relay.doc  
10 16 14

# Regulatory Information

Drawing from the delight of perusing parks' community libraries, *A Million Unread Messages* is an interactive audio experience delivered through the face of mundane civic utility: the common North American Bell payphone. Visitors explore a virtual space within the phone represented by coordinates, where they may both listen to and leave audio messages for others to find and enjoy.

The tactile and interactive nature of the piece welcomes visitors to mark coordinates they may want known to others, as well as facilitates spontaneous choose-your-own-adventure stories to be authored all within the payphone.

—

**Materials:**

“1996 Southwestern Bell payphone” H:14” D:8” W:8”, chrome fascia, original printed inserts, handset and keypad, mouthpiece reproduction in PLA. Steel.

**Datecode:**

Q1 2023

**QA & Assembly:**

Michael Hemingway

-----



